

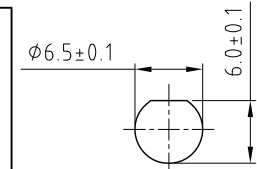
CABLE 375 RF: I-PEX MHF + SMA STRAIGHT BULKHEAD JACK WITH O-RING RATED TO IP67/68 + MULTIPLE CABLE OPTIONS, 6GHz

SPECIFICATIONS :

- I-PEX MHF PLUG, P/N:
20278-112R-08 (FOR $\phi 0.81$ MM CABLE)
20278-112R-13 (FOR $\phi 1.13$ MM CABLE)
20278-112R-18 (FOR RG178 CABLE)
- COAXIAL CABLE, SEE P/N OPTIONS.
- SMA STRAIGHT BULKHEAD JACK WITH O-RING RATED TO IP67/68, P/N:
FOR $\phi 0.81$ MM CABLE: RFCT-SMA108-F08.
FOR $\phi 1.13$ MM & RG178 CABLE: RFCT-SMA069-F78.

USAGE PRECAUTIONS: CABLES USING 'MICRO' COAX ARE DELICATE:

- HANDLE WITH CARE.
- DO NOT TWIST; APPLY EXCESSIVE FORCES OR SHARP BENDS TO THE CABLE. DO NOT FORCEFULLY DEFORM WIRES.
- CONSULT CONNECTOR MANUFACTURER'S DATASHEETS FOR DETAILED NOTES ON HANDLING INSTRUCTIONS.



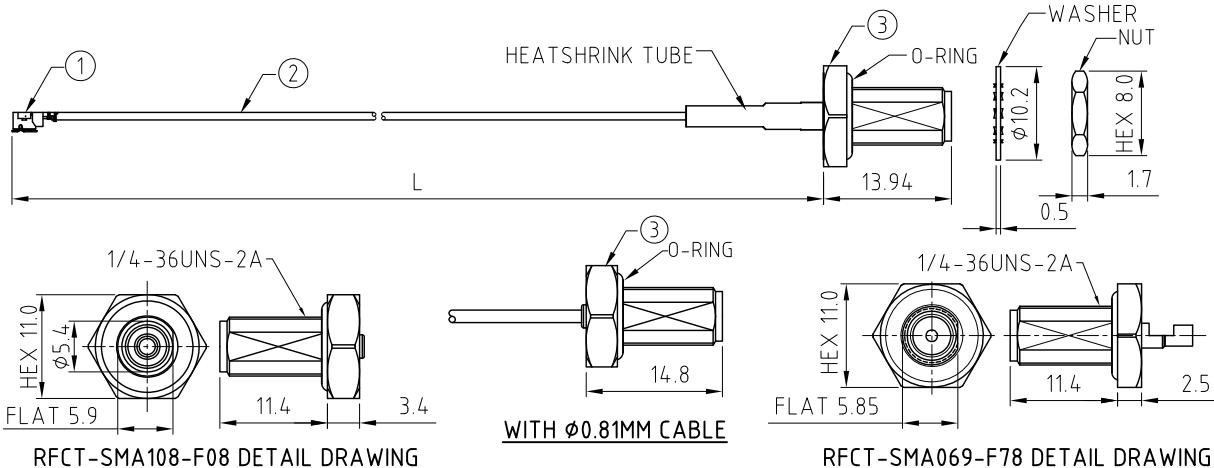
RECOMMENDED SMA MOUNTING HOLE

ENVIRONMENTAL:

- BULKHEAD MOUNTED CONNECTOR (RFCT-SMA108-F08 & RFCT-SMA069-F78) RATED TO THE FOLLOWING SPECIFICATION:
 - IP6X - DUST TIGHT - NO PARTICLE INGRESS.
 - IPX7 WATERPROOF FOR 30 MINUTES UP TO 1 METER UNDERWATER.
 - IPX8 WATERPROOF FOR 48 HOURS AT 1 METER UNDERWATER.

NOTES:

- THE ORIENTATION OF CONNECTORS ON DRAWING IS FOR REFERENCE ONLY, IF THE ORDER IS LEFT BLANK THE CONNECTOR WILL NOT HAVE FIXED ORIENTATION.
- FIXED ORIENTATION IS SUGGESTED FOR CABLE LENGTH 50MM TO 100MM. PLEASE SPECIFY THE FIXED ORIENTATIONS FROM THE ORDER CODE (F1, F2, ETC)
- CONTACT GRADCONN IF THE ORIENTATION YOU REQUIRE IS NOT SHOWN.
- WORKING FREQUENCY RANGE: DC-6GHz.
- OPERATING TEMPERATURE: $-40^{\circ}\text{C} \sim +85^{\circ}\text{C}$.
- IMPEDANCE: 50 Ohm.



RFCT-SMA108-F08 DETAIL DRAWING

RFCT-SMA069-F78 DETAIL DRAWING

HOW TO ORDER

CABLE 375 RF - X X X - X X - X - X

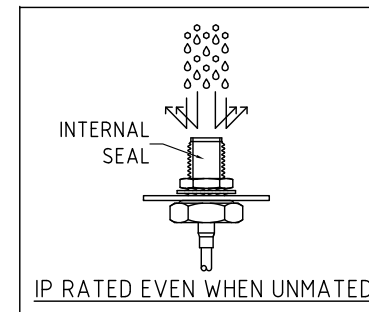
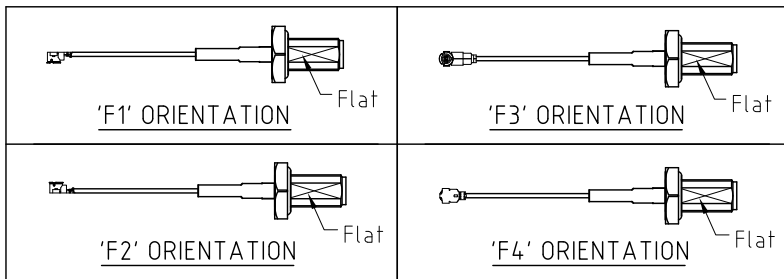
"L" LENGTH IN MM:
eg: 100MM = 100
(MIN. 050-MAX.400)
STANDARD = 100, 150, 200)
Tolerance: 50-200mm: ± 5 mm.
201-400mm: ± 7 mm.

CABLE SIZE OPTIONS:
1 = $\phi 0.81$ MM CABLE, COLOR: GREY
2 = $\phi 1.13$ MM CABLE, COLOR: GREY
3 = RG178 CABLE, COLOR: BROWN

WASHER AND NUT OPTIONS:
BLANK = SEPARATELY PACKED (STANDARD)
A = ASSEMBLED WITH CONNECTOR

ORIENTATION OPTIONS:

BLANK = DOES NOT HAVE A FIXED ORIENTATION
F1 = MHF CONNECTION DOWN (L=50-200MM)
F2 = MHF CONNECTION UP (L=50-200MM)
F3 = MHF CONNECTION AND D FLAT SAME ORIENTATION (L=50-200MM)
F4 = MHF CONNECTION AND D FLAT OPPOSITE ORIENTATION (L=50-200MM)
(SEE NOTES 1, 2, 3 AND DIAGRAMS FOR MORE INFORMATION)



REV. DATE & DRN	10. 10/07/20 - NYW RELEASE
11. 06/02/20 - AJO	CABLE OPTION ADDED
12. 06/02/20 - NYW	ADD NOTE 7
13. 14/07/20 - NYW	REMOVE NOTE 7, REPHRASE OPERATING TEMP.
14. 06/02/23 - NYW	ADD CABLE SIZE OPTION 3.
15. 06/02/24 - NYW	ADD P/N FOR 0.81 CABLE.
16. 24/03/24 - CC	ADD IP RATING VIEW

Scale: NTS	THIRD ANGLE	Unstated Tolerances: .X N/A .XX N/A .XXX N/A ANGLES N/A
Drawn: CC		
App'd: XXX	Title CABLE ASSEMBLY	
Date: 24 MAR '24	Revision: 1.6	Unit: mm



IP Rated RF Products



www.gradconn.com

Type: Cable 375 RF
CABLE 375 RF
Drawing Number:
Sheet 1 of 1
Drawing © E and O E